



# Acme Sanitary Ware Co. Ltd.


1/F, Acme Building, 22-28 Nanking Street, Kowloon, Hong Kong  
 Tel: 2388 7171 Fax: 2710 8012  
 Email: acme@acmesanitary.com.hk  
 Website: www.acmesanitary.com.hk

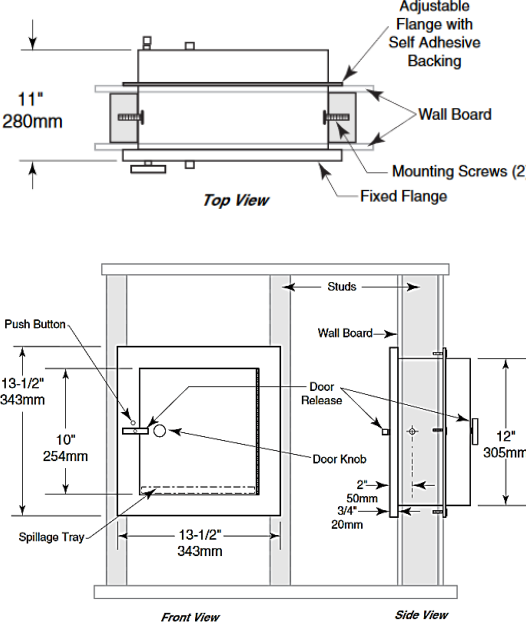
PROJECT		REF		REV	ITEM CODE	
LOCATION		DATE			PAGE	

## SANITARY WARE SPECIFICATION SHEET

Item Descriptions	Bobrick (USA) Stainless steel recessed heavy duty specimen pass-through cabinet in satin finish
Dimensions	L343 x W280 x H254 mm
Model	B-50517
Material/ Finish	Stainless Steel / Satin Finish
Manufacturer	Bobrick Washroom Equipment Inc. (USA)
Supplier	Acme Sanitary Ware Co. Ltd Mr. Eric Wong/ Mr. Don Yuen
Contact Tel/Fax	(852) 2388-7171 / (852) 2710-8012
E-mail	acme@acmesanitary.com.hk
Website	www.acmesanitary.com.hk

Illustration/ Drawing





**Rough Wall Opening**  
 12-3/8" (315mm) wide  
 12-3/8" (315mm) high  
 3" to 10" (76 to 254mm) wall thickness

**MATERIALS:**  
**Cabinet** — Cabinet is entirely constructed of 20 gauge (0.9mm) Type 304 stainless. All welded construction. All exposed surfaces shall have satin-finish.

**Flanges (2)** — 18 gauge (1.2mm) Type 304 stainless steel. Integral Fixed Wall Flange and opposing Adjustable Wall Flange. Adjustable in the field for wall depths of 3" to 10" (76 to 254mm).

**Doors (2)** — 20 gauge (0.9mm) Type 304 stainless. Two door pass through. Door interlock prevents both doors from opening at same time.

**Spillage Tray** — 20 gauge (0.9mm) Type 304 stainless steel. All-welded construction.

**OPERATION:**  
 Open door on patient side where samples are placed inside. Door on lab side cannot be opened until patient side is closed.

**INSTALLATION:**  
 Cut wall opening and insert cabinet. Drill through provided mounting holes into framing. Insert appropriate screws into holes and tighten. Remove paper backing from adjustable wall flange, exposing high strength adhesive. On the opposite side of wall, slide wall flange over the cabinet and firmly against wall.

**SPECIFICATION:**  
 Specimen Pass Through Cabinet shall have 2 doors with interlock to prevent the opening of both doors at same time. Unit shall be constructed of Type 304 stainless steel with satin-finish, welded and polished. Unit shall comply with ADA-ABA, ICC/ANSI A117.1 for operation with one hand with less than 5 pounds of force (22.2 N) without tight grasping, pinching or twisting of the wrist. Provide spillage tray and adjustable wall flange. Door secured to cabinet with a full-length stainless steel piano-hinge.

**Note:**

\* All information of the above is for the reference only. No prior notice is made if any changes.